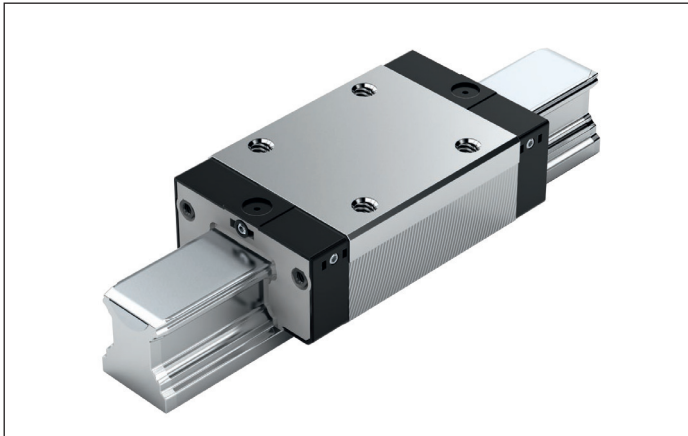


SNN – slimline, normal, low profile R1694 ... 1.



Dynamic characteristics

Travel speed: $v_{\max} = 3 \text{ m/s}$

Acceleration: $a_{\max} = 250 \text{ m/s}^2$

(If $F_{\text{comb}} > 2.8 \cdot F_{\text{pr}}$: $a_{\max} = 50 \text{ m/s}^2$)

Note on lubrication

► Not pre-lubricated

Note

For all SNS/SNO ball guide rails.

Options and part numbers

Size	Ball runner block with size	Preload class		Accuracy class		Seal with ball runner blocks without ball chain	
		C0	C1	N	H	SS	LS
20	R1694 8	9	1	4	3	10	11
25 ¹⁾	R1694 2	9	1	4	3	10	11
e.g.	R1694 8		1		3	10	

1) BSHP ball runner block

Order example

Options:

- SNN ball runner block
- Size 20
- Preload class C1
- Accuracy class H
- With standard seal, without ball chain

Part number:

R1694 813 10

Preload classes

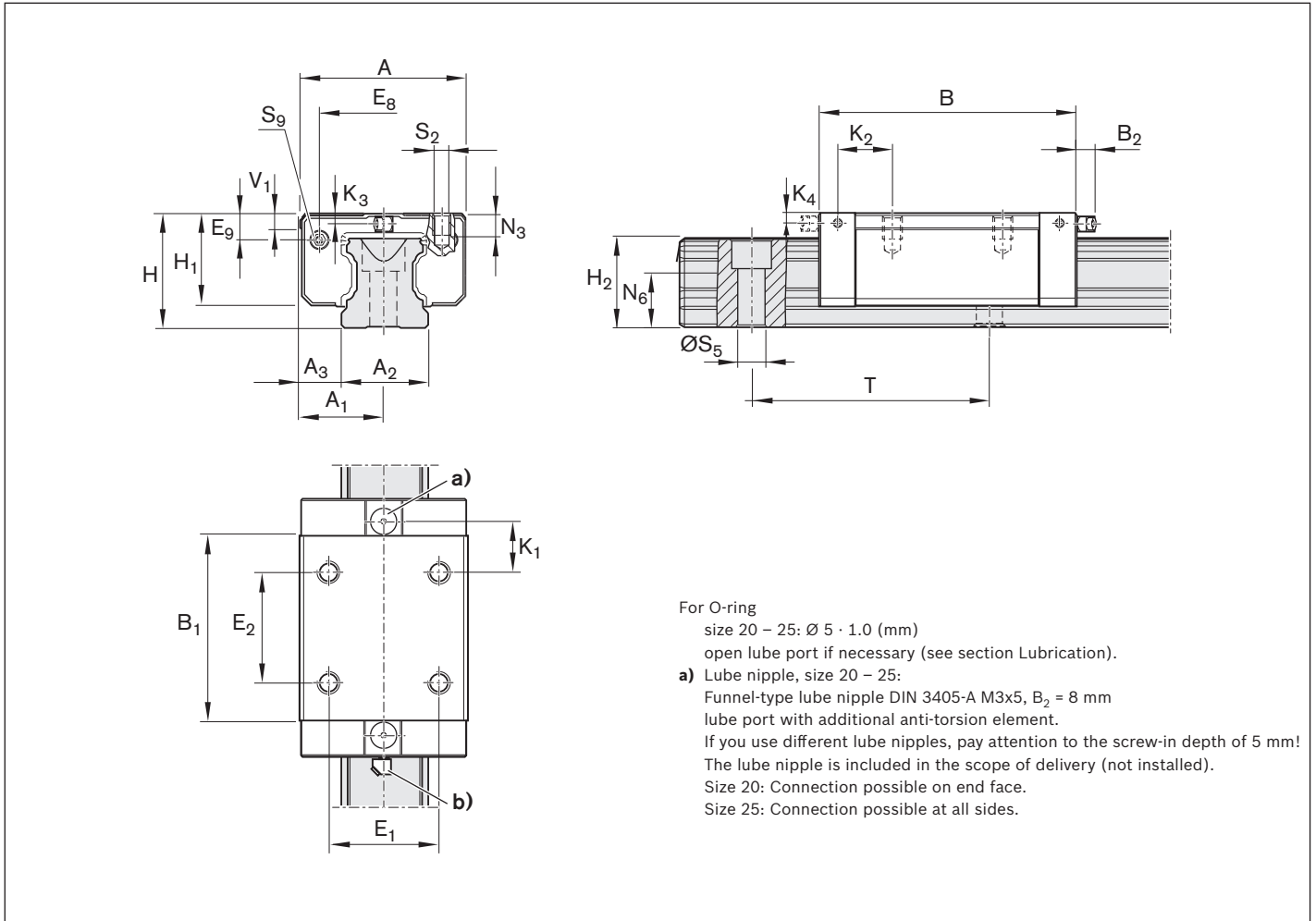
C0 = Without preload (clearance)
C1 = Moderate preload

Seals

SS = standard seal
LS = low-friction seal

Key

Gray digits
= No preferred variant/combination
(Some delivery times may be longer)



Size	Dimensions (mm)																	
	A	A ₁	A ₂	A ₃	B ^{+0.5}	B ₁	E ₁	E ₂	E ₈	E ₉	H	H ₁	H ₂ ¹⁾	H ₂ ²⁾	K ₁	K ₂	K ₃	K ₄
20	42	21	20	11.0	72.5	49.6	32	32	30.5	5.6	28	23.0	20.75	20.55	13.0	-	3.6	-
25	48	24	23	12.5	81.0	57.8	35	35	38.3	8.5	33	26.5	24.45	24.25	16.6	17.0	4.1	4.1

Size	Dimensions (mm)							Weight (kg)	Load capacities ³⁾ (N)		Load moments ³⁾ (Nm)			
	N ₃	N ₆ ^{+0.5}	S ₂	S ₅	S ₉	T	V ₁		m	C	C ₀	M _t	M _{t0}	M _L
20	6.3	13.2	M5	6.0	M3x5	60	6.0	0.30	14 500	24 400	190	310	100	165
25	7.0	15.2	M6	7.0	M3x5	60	7.5	0.45	28 600	35 900	410	510	290	360

- 1) Dimension H₂ with cover strip
- 2) Dimension H₂ without cover strip
- 3) Load capacities and load moments for ball runner blocks **without** ball chain.
 Determination of the dynamic load capacities and load moments is based on a 100,000 m travel life according to DIN ISO14728-1. Often only 50,000 m are actually stipulated. For comparison: Multiply values **C**, **M_t** and **M_L** by 1.26 according to the table.