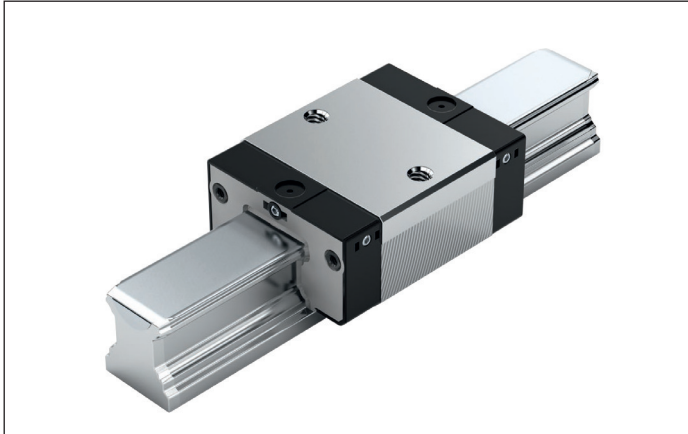


## SKN – slimline, short, low profile R1664 ... 1.

**Dynamic characteristics**Travel speed:  $v_{\max} = 3 \text{ m/s}$ Acceleration:  $a_{\max} = 250 \text{ m/s}^2$ (If  $F_{\text{comb}} > 2.8 \cdot F_{\text{pr}}$ :  $a_{\max} = 50 \text{ m/s}^2$ )**Note on lubrication**

▶ Not pre-lubricated

**Note**

For all SNS/SNO ball guide rails.

**Options and part numbers**

Size	Ball runner block with size	Preload class		Accuracy class			Seal with ball runner blocks without ball chain	
		C0	C1	N	H	SS	LS	
20	R1664 8	9	1	4	3	10	11	
25 <sup>1)</sup>	R1664 2	9	1	4	3	10	11	
e.g.	R1664 8		1		3	10		

1) BSHP ball runner block

**Order example**

Options:

- ▶ SKN ball runner block
- ▶ Size 20
- ▶ Preload class C1
- ▶ Accuracy class H
- ▶ With standard seal, without ball chain

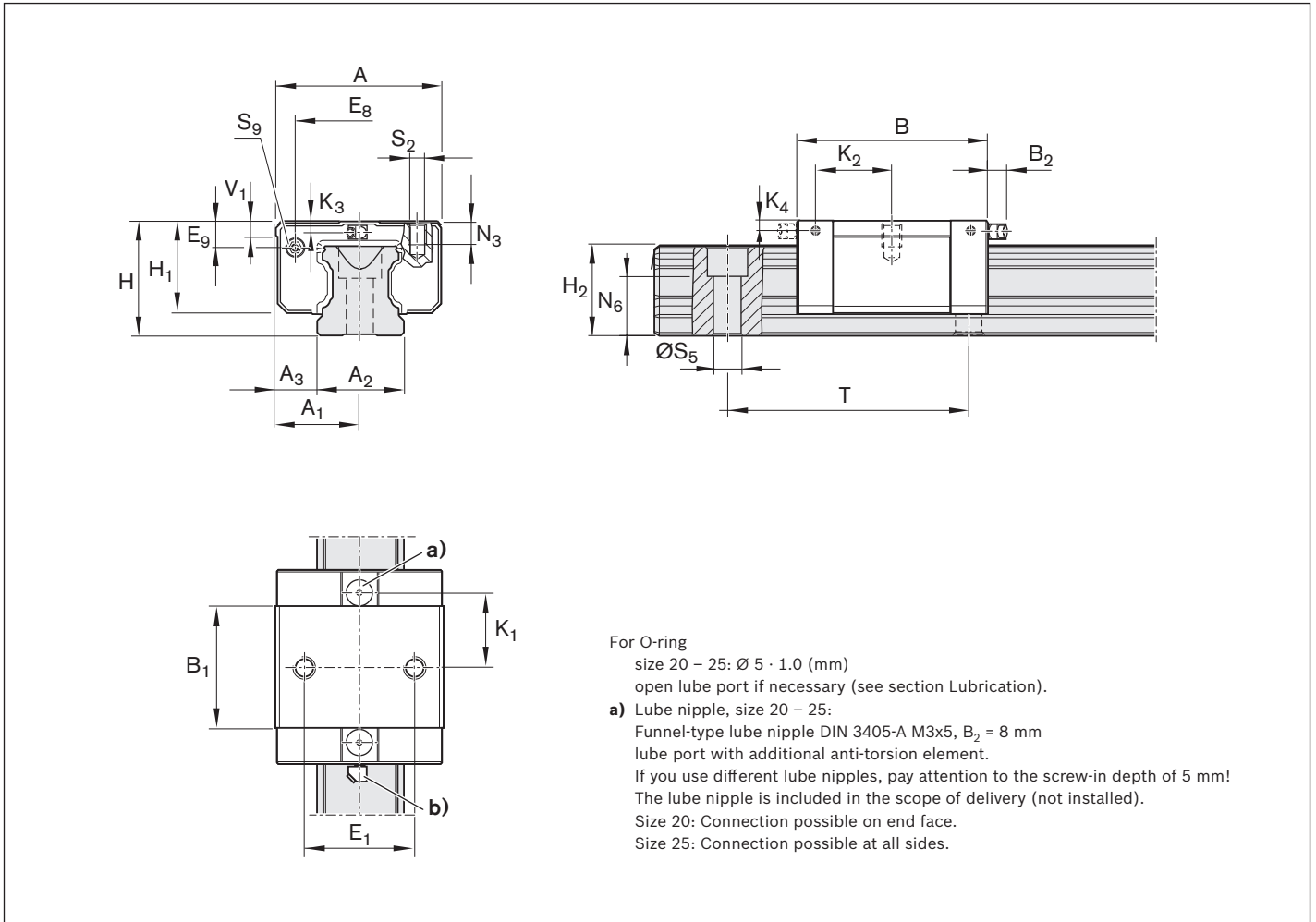
Part number:

R1664 813 10

**Preload classes**C0 = Without preload (clearance)  
C1 = Moderate preload**Seals**SS = standard seal  
LS = low-friction seal**Key**

Gray digits

= No preferred variant/combination  
(Some delivery times may be longer)



Size	Dimensions (mm)																
	A	A <sub>1</sub>	A <sub>2</sub>	A <sub>3</sub>	B <sup>+0.5</sup>	B <sub>1</sub>	E <sub>1</sub>	E <sub>8</sub>	E <sub>9</sub>	H	H <sub>1</sub>	H <sub>2</sub> <sup>1)</sup>	H <sub>2</sub> <sup>2)</sup>	K <sub>1</sub>	K <sub>2</sub>	K <sub>3</sub>	K <sub>4</sub>
20	42	21	20	11.0	55	31.9	32	30.5	5.6	28	23.0	20.75	20.55	20.1	-	3.6	-
25	48	24	23	12.5	62	38.6	35	38.3	8.5	33	26.5	24.45	24.25	24.5	25.0	4.1	4.1

Size	Dimensions (mm)							Weight (kg)	Load capacities <sup>3)</sup> (N)		Load moments <sup>3)</sup> (Nm)			
	N <sub>3</sub>	N <sub>6</sub> <sup>±0.5</sup>	S <sub>2</sub>	S <sub>5</sub>	S <sub>9</sub>	T	V <sub>1</sub>			C <sub>0</sub>		M <sub>t0</sub>		M <sub>L0</sub>
20	6.3	13.2	M5	6.0	M3x5	60	6.0	0.20	9 600	13 600	120	170	40	58
25	7.0	15.2	M6	7.0	M3x5	60	7.5	0.30	19 800	21 200	280	300	130	140

- 1) Dimension H<sub>2</sub> with cover strip
- 2) Dimension H<sub>2</sub> without cover strip
- 3) Load capacities and load moments for ball runner blocks **without** ball chain.  
 Determination of the dynamic load capacities and load moments is based on a 100,000 m travel life according to DIN ISO14728-1. Often only 50,000 m are actually stipulated. For comparison: Multiply values **C**, **M<sub>t</sub>** and **M<sub>L</sub>** by 1.26 according to the table.